

50LA Tandem Axle Angle Iron Utility

G.V.W.R.	5,000#	Axle	(2) 3,500# EZ Lube w/ (1) Elec. Brake
G.A.W.R. (Ea. Axle)	3,500#	Supension	Multi-Leaf Spring w/ Equalizer
Coupler	2" A-Frame	Tire	ST205/75R-15 Load Range C
Safety Chains	1/4" Grd. 30 w/Safety Latch Hook (2 ea)	Wheel	15" x 5"; White Spoke 5 on 5 Bolt Pattern
Jack	2,000# Top Wind (Bolted On)	Floor	2" Treated Pine or Douglas Fir*
Tongue	4" Channel	Lights	L.E.D. D.O.T. Stop, Tail, Turn & Clearance
Top Rail	3" x 2" x 3/16" Angle	Elec. Plug	7-Way RV
Frame	3" x 2" x 3/16" Angle	Finish (Prep)	Steel is Cleaned to Ensure a Professional Smooth Finish.
Crossmembers	3" x 2" x 3/16" Angle		
Uprights	14" Tall 2" x 2" x 1/8" Angle	Finish	Superior Quality Finish is Applied for a Highly Decorative and Protective Finish.
Fenders	9" x 72" Rolled Formed w/Back		

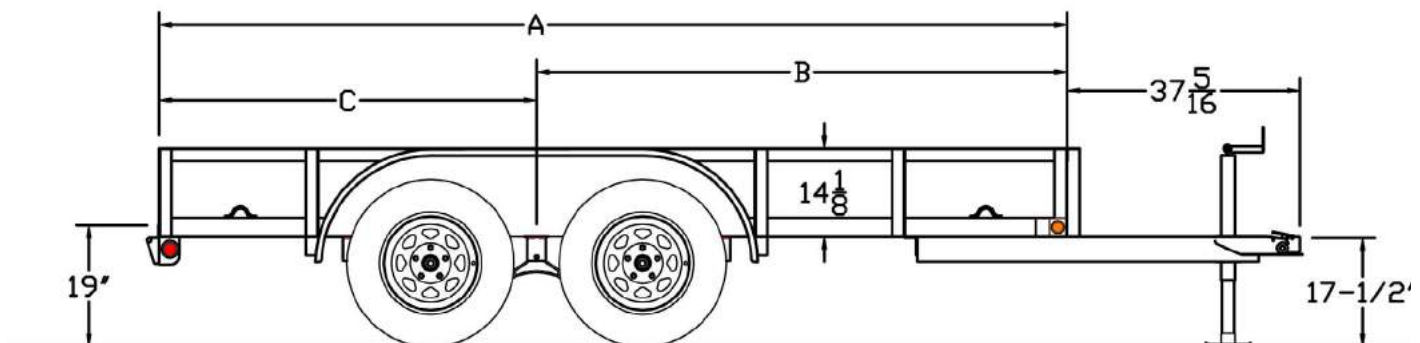
* Douglas Fir Available from Caldwell, ID Facility Only

Standard Features

- (4) Tie Down Loops Inside Bed
- EZ Lube Hubs
- Dexter Brand Axles
- Nev-R-Adjust Electric Brakes
- Cambered Axles
- Grommet Mount Sealed Lighting
- L.E.D. Lighting Package
- Protected Wiring
- Removable Sand Foot on Jack
- Complete Break-A-Way System w/Charger
- Radial Tires **NEW!**

Description

Dimensions			
Length	A	B	C
10'	121-1/2"	73"	48-1/2"
12'	145-1/2"	85"	60-1/2"
14'	169-1/2"	103"	72-1/2"
16'	193-1/2"	115"	78-1/2"
18'	217-1/2"	127"	90-1/2"



50LA Tandem Axle Angle Iron Utility



Shown with optional rampgate and spare tire mount

Model	Weight*	Description
50LA-10	1,225#	77" x 10' Tandem Axle Angle Iron Utility Trailer
50LA-12	1,265#	77" x 12' Tandem Axle Angle Iron Utility Trailer
50LA-14	1,400#	77" x 14' Tandem Axle Angle Iron Utility Trailer
50LA-16	1,535#	77" x 16' Tandem Axle Angle Iron Utility Trailer
50LA-18	1,670#	77" x 18' Tandem Axle Angle Iron Utility Trailer

*Weights shown are for base models without options and are estimates only

Optional Equipment

Category	Description
COUPLERS	2" Forged Coupler
COUPLERS	2-5/16" Stamped Coupler
COUPLERS	2-5/16" Forged Coupler
JACKS	2,000# Fold-Up Jack
JACKS	Set Back Jack
BRAKES	Electric Brakes on 2nd Axle
BRAKES	Hydraulic Surge Brakes 1 Axle w/Atwood Actuator
BRAKES	Hydraulic Surge Brakes 2 Axles w/ Atwood Actuator
TIRE/WHEEL	Spare Tire Mount (Side)
TIRE/WHEEL	Spare Tire (ST205/75R-15 LR-C)
RAMPS	4' Tall Rear Rampgate
RAMPS	4' Tall Rear Rampgate- Extra Wide (83" Wide)
RAMPS	5' Tall Rear Rampgate
RAMPS	5' Tall Rear Rampgate- Extra Wide (83" Wide)
RAMPS	4' Slide-In Angle Ramps
RAMPS	Gas Shock Assist Option for Rampgate
BODY	Fold-Back/Wrap Tongue (14' or Longer)
BODY	Heavy Duty Frame (4" x 3" x 1/4" Angle)
BODY	Extra Wide Frame (83" Wide Between Fenders)
BODY	Enclose Sides w/ Expanded Metal (Per Square Foot)
BODY	Enclose Sides w/ Sheet Metal (Per Square Foot)
BODY	2' High Sides (Open)
BODY	3' High Sides (Open)
BODY	4' High Sides (Open)
BODY	1/8" Diamond Plate Steel Floor (Per Square Foot)
CARGO CONTROL	Tie Down Pockets (Each)
CARGO CONTROL	Additional Tie Loops (Each)